

St. Elizabeth Ann Seton Catholic Church

Altar Furnishings Renovation 2017

Altar Features

Lamb Icon will be restored and repainted

Will include a first class relic of St. Elizabeth Ann Seton

Marble is honed carrara with a seamless edge and six inches thick



Ambo Features

Evangelist Icons will be restored and repainted

Will include a single shelf to house the Missal and Lectionary

Will include a pull out step for use at school Masses

All wood is made from locally sourced poplar and will have a medium/light brown stain

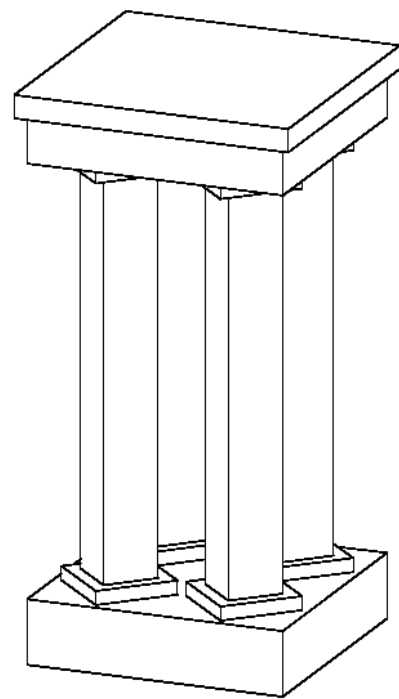
In the fall of 2015 a committee of parishioners, staff, and clergy began to think about developing plans to address some issues with our altar furnishings. Our current altar was somewhat in disrepair and didn't meet all of the standards as prescribed by the Church for a permanent altar. Our discussions were theoretical and we considered many design ideas **until the Tiemeyer family donated all the funds for our new altar furnishings.** We are very thankful for their generosity.

Our original furnishings were from the private chapel of Bishop Mulloy and later Bishop Ackerman who subsequently donated them to Msgr. John Rolf when he was appointed as the founding pastor of St. Elizabeth Ann Seton for use at their initial location in the Gainesway shopping center. We have since used the furnishings in our worship for over 35 years. Some of the original material has been re-purposed in the 2013 restoration of the Eucharistic Chapel.

In choosing a design for this altar we wanted to retain elements of our history and bring in aspects of worship space to make something simple, sturdy, and dignified. The choice of marble ties the altar and ambo to our baptismal font and the used of wooden posts match the beams of our church.

In an effort to unify our worship space and due to the generosity of the Tiemeyers we are addressing many other elements of our worship space simultaneously. We believe these furnishings will draw our attention to Christ in our liturgies and inspire deep worship for years to come.

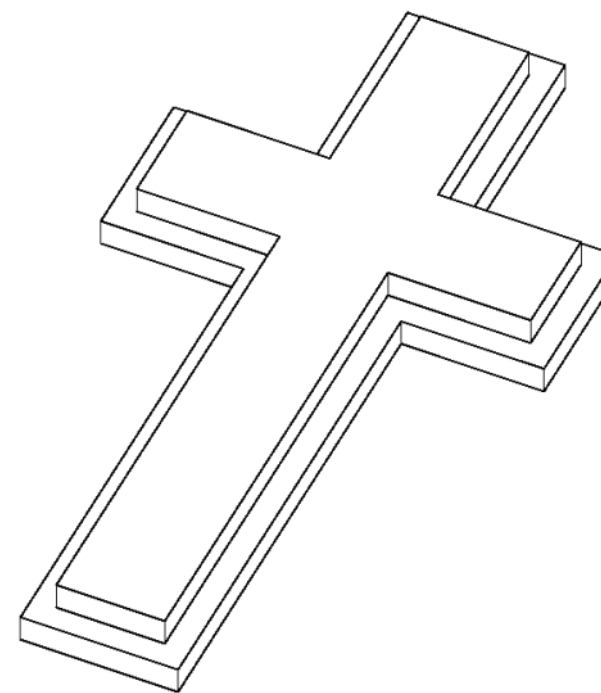




Easter Vigil Candle Stand & Altar Candle Stands

There will be a new Easter Vigil Candle Stand that will share the four post look of the Altar with a piece of marble on the top. Additionally it will have casters to make it easier to move and the candle will rest in the marble top.

We will also be getting new altar candle stands that will rest on the altar. Four will be used during adoration and two for Masses. They will be on a much smaller scale and will include a glass cylinder referring the silo structures of our church.



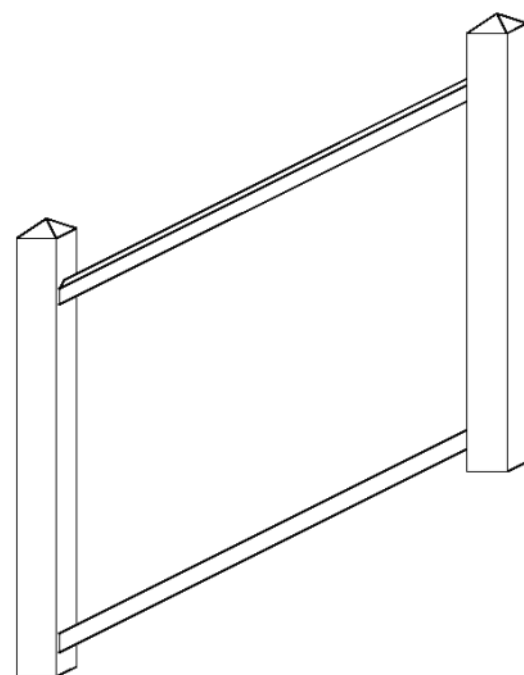
Crucifix

One comment often heard is that our crucifix is not visible throughout the church. We are trying to improve visibility by providing increasing the profile size of crucifix by adding a poplar backing. This will create unity with the other altar furnishings and create a better proportion of corpus to cross as well as the proportion of the cross to the size of the space on our silo.

Handrail & Announcement Stand

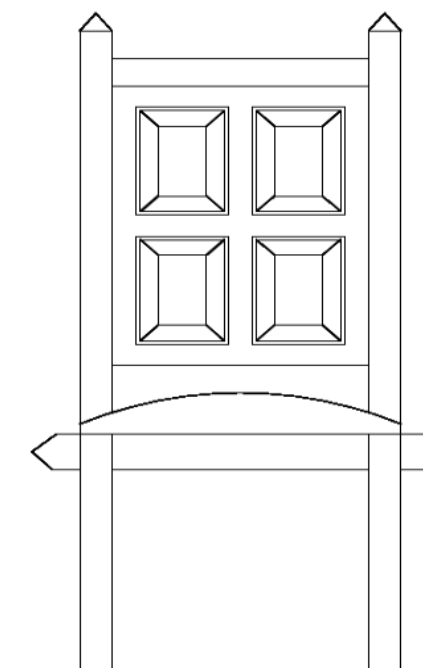
Our current handrail is functional but it does not tie into the other furnishings it also not as secure as it could be. By installing the new handrail into the floor it will be much more sturdy. Also by leaving out the spindles in the middle of the handrail we decrease the visual importance placed on the handrail. It is unified with the space by the incorporation of the pyramid cut and with the other furnishings by the wood type.

Also in an effort to unify furnishings we will get a new announcement stand that will have a four post stand like the altar and easter vigil stand.



Presider Chairs

We will have three new presider chairs that feature artistic elements of our worship space including the pyramid cut, use of our entrance door panel shapes, side triangle cuts like the beams of the church. These triangle cuts will also make the presider chairs link together to more efficiently use our limited space. There will also be recessed book slots in the main presiders chair which will be a little larger and wider than the two chairs for assisting deacons.



Additional Elements

Our number boards for songs selections will be moving to a less prominent space to enable to placements of seasonal banners at the front of the church.

We also have been involved in the process of including sacred images, banners and cleaning up the entrance way to the church.

Committee Members

Adam Beeken, project manager
Lisa Razor, Kelly Reynolds
Dee Jones, Willie Huff
Dcn. Matt Coriale
Tamara Shumate & Fr. John Moriarty

*Please contact any of us to discuss
any element of this project.*

Altar Dedication

April 2nd 8:45am Mass with Bishop John
All Are Invited to this Special Celebration